

**Buddy** × leather

# Buddy

CH-372

An interplay of diverse materials gives rise to a richly layered artistic expression.

Guided by a multidimensional design philosophy, the designer orchestrates a harmonious composition of contrasting materials.

The silhouette draws inspiration from the structural rhythm of musical notation, echoing the balance between stem and tail. Its poised, sculptural presence is complemented by a resilient and responsive seating experience, redefining the modern leisure space with distinctive character and understated sophistication.



## Meticulously designed by Claudio Bellini Studio,

a multidisciplinary design practice headquartered in Milan. Founded by Claudio Bellini in 1996, the studio has consistently pursued a harmonious balance between beauty and functionality, with a focus on furniture, product, and interior design.

Today, it is recognized as one of the most influential European design studios worldwide.



## A wide range of uses



### A relaxed yet stylish social space.

Buddy presents a refined, contemporary silhouette, enriched by the full, supple tones of its leather upholstery. Instantly elevating the character of any interior, it creates a relaxed and comfortable social setting for employees to unwind and connect.

### An intimate discussion area.

Buddy is available in a variety of configurations, effortlessly shaping versatile spaces designed for conversation and collaboration.

### A welcoming reception space

With its distinctive and imaginative design, Buddy makes an immediate visual statement. Ideal for open-plan communal areas in small to mid-sized companies, it creates a refined setting for informal meetings and moments of relaxation.

# Versatile Configurations

Modular units can be configured to shape spaces the way you need.





## Artfully designed

Designed by the internationally renowned Claudio Bellini Studio, it continues a refined minimalist design language, bringing a touch of contemporary sophistication to workplaces, lounge areas, and meeting spaces alike.



## Versatile and adaptable

Offering both lounge chairs and sofa options, the collection accommodates a variety of spatial settings and design languages, providing users with enhanced flexibility and refined personalization.



## Lightweight but robust

Through refined processes of twisting and bending, the frame is softened with a sense of human-centered warmth. Meticulously polished and electroplated multiple times, it achieves a robust structural support, ensuring enhanced stability.



## Thoughtful details

An optional writing tablet is available, allowing you to jot down notes or place a cup of tea, a book, or other small essentials—adding thoughtful touches to everyday work and life.



CH-372C-1



CH-372C-2



CH-372C-3



CH-372C-4



CH-372C-5

# PRODUCT CONFIGURATION

# Buddy

Armrests: Curved metal

Upholstery: Available in wrinkle-resistant polyester fabric or premium textured genuine leather

Padding: Precision-cut foam with high-resilience support, designed to retain its shape

Sofa Base: Premium metal support frame



CH-3720-1

# PRODUCT CONFIGURATION

# Buddy



CH-3720-2

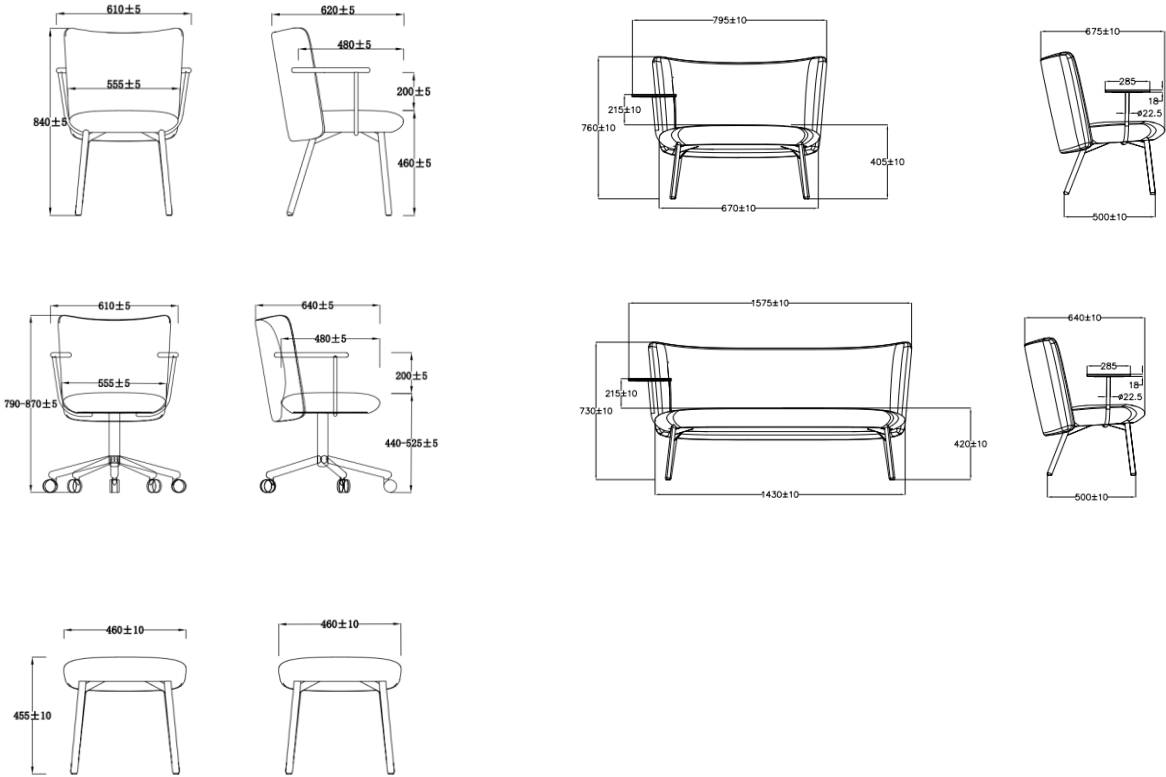
# PRODUCT CONFIGURATION

# Buddy



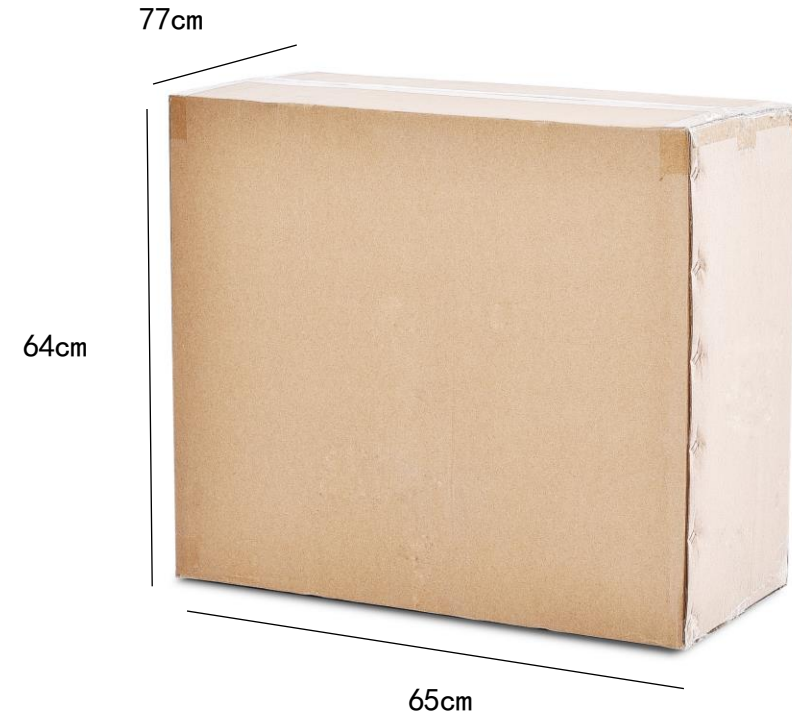
CH-3720-6

# Buddy



## Product dimensions:

- CH-372C-1 : D (620±10)mm × W (610±10) mm ×H (840±10) mm
- CH-372C-2 : D (640±10)mm × W (610±10) mm ×H (780-870) ±10 mm
- CH-372C-3 : D (460±10)mm ×W (460±10) mm ×H (455±10) mm
- CH-372C-5 : D (675±10)mm ×W (795±10) mm ×H (760±10) mm
- CH-372C-6 : D (640±10)mm ×W (1575±10) mm ×H (730±10) mm



## Package dimensions:

- CH-372C-1 : 77L×65W×64H (2 chairs per box)
- CH-372C-2 : 82L×65W×64H
- CH-372C-3 : 48L×48W×47H
- CH-372C-5 : 67L×65W×60H (2 chairs per box)
- CH-372C-6 : 160L×66W×75H

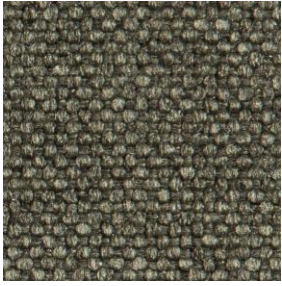
Fabric Swatches



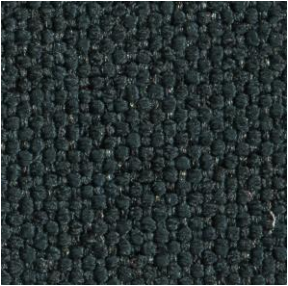
MIN-02



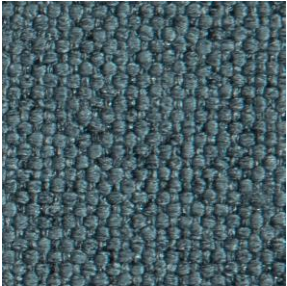
MIN-41



MIN-36



MIN-20



MIN-18



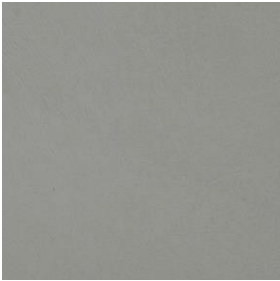
MIN-16

---

Genuine Leather



BN7274



BN30181



BN7811



BN7757



BN7739



BN5275



BN2210



BN1278